



**BUILDING CODE COMPLIANCE OFFICE (BCCO)
PRODUCT CONTROL DIVISION**

**MIAMI-DADE COUNTY, FLORIDA
METRO-DADE FLAGLER BUILDING
140 WEST FLAGLER STREET, SUITE 1603
MIAMI, FLORIDA 33130-1563
(305) 375-2901 FAX (305) 375-2908**

NOTICE OF ACCEPTANCE (NOA)

**All Points Industries, Inc.
1590 NW 27th Avenue # 9
Pompano Beach, FL 33069**

SCOPE:

This NOA is being issued under the applicable rules and regulations governing the use of construction materials. The documentation submitted has been reviewed by Miami-Dade County Product Control Division and accepted by the Board of Rules and Appeals (BORA) to be used in Miami Dade County and other areas where allowed by the Authority Having Jurisdiction (AHJ).

This NOA shall not be valid after the expiration date stated below. The Miami-Dade County Product Control Division (In Miami Dade County) and/or the AHJ (in areas other than Miami Dade County) reserve the right to have this product or material tested for quality assurance purposes. If this product or material fails to perform in the accepted manner, the manufacturer will incur the expense of such testing and the AHJ may immediately revoke, modify, or suspend the use of such product or material within their jurisdiction. BORA reserves the right to revoke this acceptance, if it is determined by Miami-Dade County Product Control Division that this product or material fails to meet the requirements of the applicable building code.

This product is approved as described herein, and has been designed to comply with the Florida Building Code including the High Velocity Hurricane Zone.

DESCRIPTION: All Points Solid Set Anchors

APPROVAL DOCUMENT: Drawing No. **05-502**, Sheets 1 of 1, titled "Solid Set Anchors" dated 10/30/06 with last revision on 11/06/06, prepared by Thornton Tomasetti Inc, signed and sealed by J.W. Knezevich PE, bearing the Miami-Dade County Product Control Approval stamp with the Notice of Acceptance (NOA) number and approval date by the Miami-Dade County Product Control Division.

MISSILE IMPACT RATING: None

LABELING: Each unit or box shall bear a permanent label with the manufacturer's name or logo, city, state and following statement: "Miami-Dade County Product Control Approved or MDCPCA", unless otherwise noted herein.

RENEWAL of this NOA shall be considered after a renewal application has been filed and there has been no change in the applicable building code negatively affecting the performance of this product.

TERMINATION of this NOA will occur after the expiration date or if there has been a revision or change in the materials, use, and/or manufacture of the product or process. Misuse of this NOA as an endorsement of any product, for sales, advertising or any other purposes shall automatically terminate this NOA. Failure to comply with any section of this NOA shall be cause for termination and removal of NOA.

ADVERTISEMENT: The NOA number preceded by the words Miami-Dade County, Florida, and followed by the expiration date may be displayed in advertising literature. If any portion of the NOA is displayed, then it shall be done in its entirety.

INSPECTION: A copy of this entire NOA shall be provided to the user by the manufacturer or its distributors and shall be available for inspection at the job site at the request of the Building Official.

This NOA consist of this page 1, evidence page as well as approval document mentioned above.

The submitted documentation was reviewed by **Candido F. Font, P.E.**

[Signature]
12/21/06



**NOA No 05-1116.04
Expiration Date: December 21, 2011
Approval Date: December 21, 2006
Page 1**

All Points Industries Inc.

NOTICE OF ACCEPTANCE: EVIDENCE PAGE

A DRAWINGS:

1. Drawings prepared by Thornton Tomasetti Inc, titled "Solid Set Anchors"; Drawing No. 05-502, dated 10/30/06 with last revision on 11/06/06, sheet 1 of 1, signed and sealed by J. W. Knezevich PE.

B TEST:

	Laboratory No.	Test Report.	Date.	Signature
1.	CTC 02-007A	ASTM E488	05/06/02	G. Dotzler, PE.

C CALCULATIONS:

N/A

D QUALITY ASSURANCE.

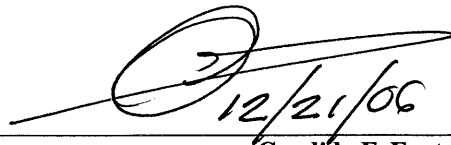
1. Miami-Dade Quality Control Division.

E MATERIAL CERTIFICATIONS:

N/A

F STATEMENTS:

1. No interest letter issued by Thornton Tomasetti Inc, on 10/24/06, signed and sealed by J. W. Knezevich PE.
2. Code compliance letter issued by Thornton- Tomasetti Group on 11/11/05 signed and sealed by J. W. Knezevich, PE.



Candido F. Font, P.E.
Senior Product Control Examiner
NOA No 05-1116.04
Expiration Date: December 21, 2011
Approval Date: December 21, 2006

GENERAL NOTES:

1. THESE APPROVAL DOCUMENTS REPRESENT ALL POINTS SOLID-SET ANCHOR ANALYZED WITH THE PROVISION SET FOR THE ISSUANCE OF A NOTICE OF ACCEPTANCE (NOA) BY MIAMI-DADE COUNTY PRODUCT CONTROL DIVISION FOR HIGH VELOCITY HURRICANE ZONE (HVHZ) OF FLORIDA BUILDING CODE 2004, WITH 2005 SUPPLEMENTS.
2. REFERENCE CONSTRUCTION TESTING CORPORATION TEST REPORTS: REPORT NO. 02-007A DATED 05/06/02
REFERENCE WINGERTER LABORATORIES, INC. TEST REPORTS: REPORT NO. 2 DATED 04/11/02
REPORT NO. 3
3. NO ALLOWABLE STRESS INCREASE HAS BEEN USED IN PREPARATION OF THIS DOCUMENT.
4. THESE PRODUCT DOCUMENTS ARE GENERIC AND DO NOT INCLUDE INFORMATION FOR SITE-SPECIFIC APPLICATION.
5. USE OF THESE APPROVAL DOCUMENTS SHALL COMPLY WITH CHAPTER 61G15-23 OF THE FLORIDA ADMINISTRATIVE CODE.
6. ANY MODIFICATION OR ADDITION TO THESE APPROVAL DOCUMENTS ARE NOT PERMITTED.

INSTALLATION INSTRUCTIONS:

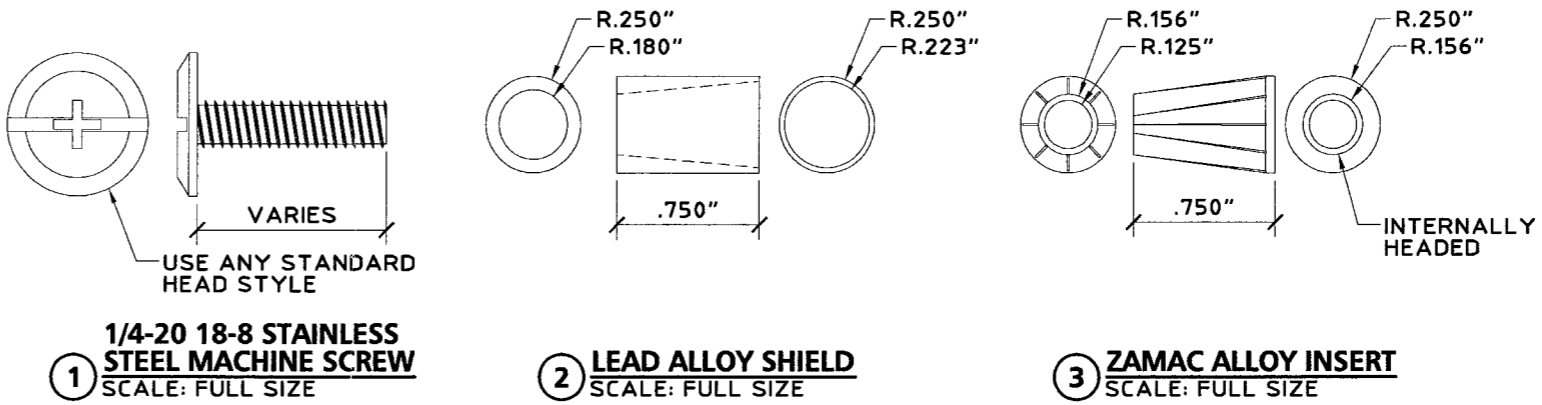
1. ANCHOR INSTALLATION SHALL BE MADE IN ACCORDANCE WITH THE MANUFACTURER'S PUBLISHED INSTALLATION INSTRUCTIONS AND THIS MIAMI-DADE COUNTY, FLORIDA BCCO NOTICE OF ACCEPTANCE. DRILL 1/2" ϕ HOLES MIN. 1" DEEP INTO THE SUBSTRATE USING ANSI B94.12-1977 CARBIDE-TIPPED MASONRY DRILL BIT. A PILOT HOLE OF 1/4" ϕ FOR THE 1/4" SCREW IS DRILLED MIN. 1/4" LONGER THAN THE 1/2" ϕ HOLE.
2. CLEAN HOLES OF DEBRIS AND DUST BEFORE INSTALLATION OF ANCHOR.
3. USING THE RAPID SET TOOL, PLACE THE ANCHOR IN THE BACK OF THE HOLE AND SET THE ANCHOR BY SCREWING THE ZAMAC ALLOY CONE UNTIL THE ZAMAC INSERT IS PULLED TO THE POINT THAT IS FLUSH WITH OR EXTENDS BEYOND THE TOP OF THE LEAD SHIELD, SEE DETAIL 4.
4. ANCHORS SHALL NOT BE INSTALLED BEFORE THE CONCRETE HAS DEVELOPED ITS DESIGN STRENGTH.

TABLE NOTES:

1. SOLID-SET ANCHORS SHALL BE USED WITH 1/4-20 18-8 STAINLESS STEEL MACHINE SCREWS. MACHINE SCREWS REQUIRE A MINIMUM 1/2" ENGAGEMENT OF THREADS.
2. CONCRETE SHALL CONFORM TO AMERICAN CONCRETE INSTITUTE MANUAL OF CONCRETE PRACTICE ACI 301 WITH NORMAL WEIGHT AND A MINIMUM COMPRESSIVE STRENGTH (f'_c) OF 3000 PSI AT 28 DAYS.
3. HOLLOW CONCRETE MASONRY UNIT (CMU) SHALL CONFORM TO ASTM C-90 GRADE N, TYPE 1, WITH A MINIMUM COMPRESSIVE STRENGTH (f'_m) OF 1800 PSI.
4. ALLOWABLE LOADS ARE BASED ON THE ULTIMATE LOAD DIVIDED BY 4.
5. ANCHOR SPACING SHALL BE 3" MIN FOR 100% TENSION AND SHEAR CAPACITY.

ALL POINTS SOLID-SET ANCHORS

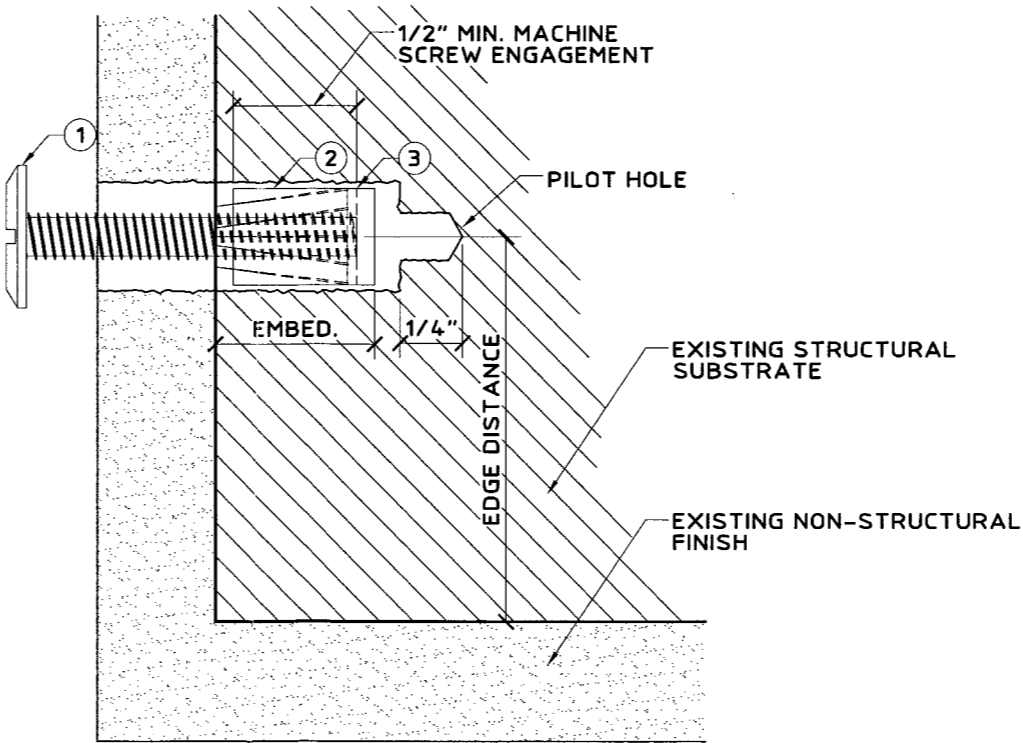
ALLOWABLE LOADS (LBS.)													
CONCRETE ($f'_c = 3000$ PSI MIN.)							CMU ($f'_m = 1800$ PSI MIN)						
MIN. EMBED.	EDGE DISTANCE						MIN. EMBED.	EDGE DISTANCE					
	1-1/4"		2"		3"			1-1/4"		2"		3"	
	TENSION	SHEAR	TENSION	SHEAR	TENSION	SHEAR		TENSION	SHEAR	TENSION	SHEAR	TENSION	SHEAR
7/8"	328	187	428	429	544	565	7/8"	208	153	358	249	395	397



1 1/4-20 18-8 STAINLESS STEEL MACHINE SCREW
SCALE: FULL SIZE

2 LEAD ALLOY SHIELD
SCALE: FULL SIZE

3 ZAMAC ALLOY INSERT
SCALE: FULL SIZE



4 SOLID-SET ASSEMBLY
SCALE: FULL SIZE

Approved: *[Signature]*
Date: 12/21/06
12/21/06
05-4116.04

Thornton Tomasetti
330 N. Andrews Ave., Suite 450 • Ft. Lauderdale, FL 33301
T 954.522.3690 • F 954.522.3691 • COA # 7619
Website: www.ThorntonTomasetti.com
Copyright © 2006 Thornton-Tomasetti, Inc.

SOLID-SET ANCHORS
ALL POINTS
SCREW, BOLT & SPECIALTY CO.
1590 NW 27th Ave., Suite 9 • Pompano Beach, FL 33069
Phone: (800) 226-5555 • Fax: (800) 582-6110

J.W. Knezevich
Professional Engineer
FL License No.: PE 0041961

[Signature]
NOV 07 2006

no	date	by	description
1	11/06/2006	NW	MANUFACTURER'S MANUAL

date: 10/30/2006
scale: AS NOTED
design by: JWK
checked by: VJK
drawing no.: 05-502
sheet 1 of 1